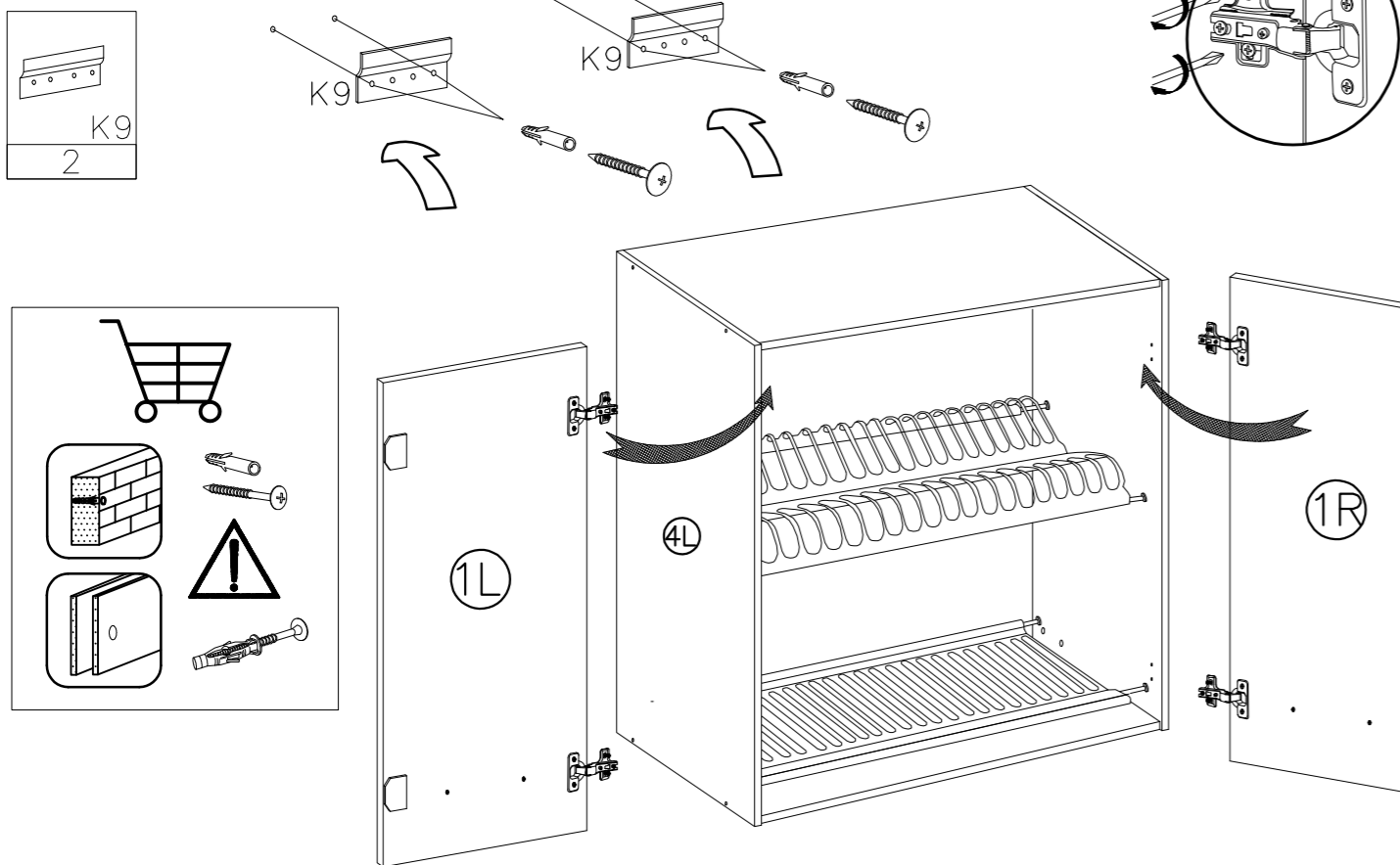
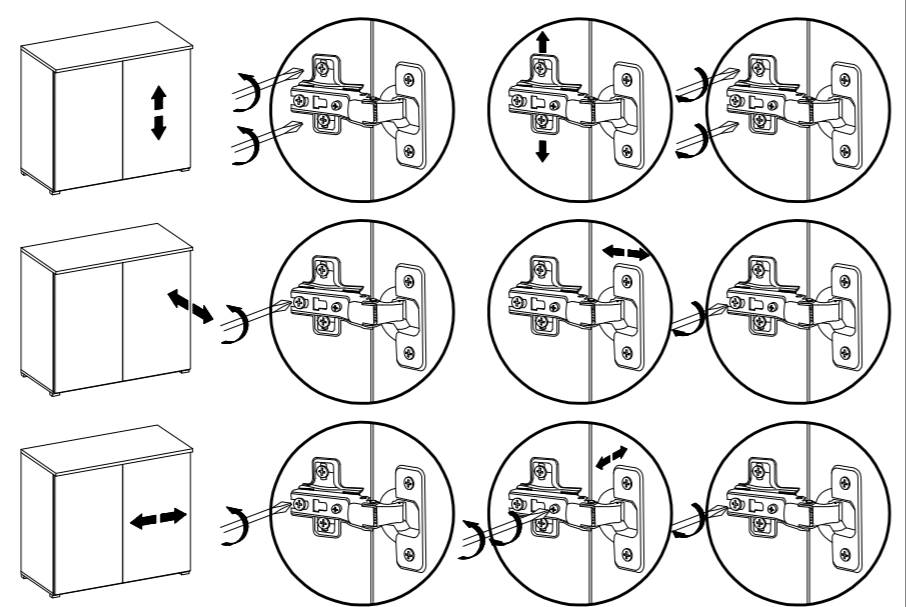
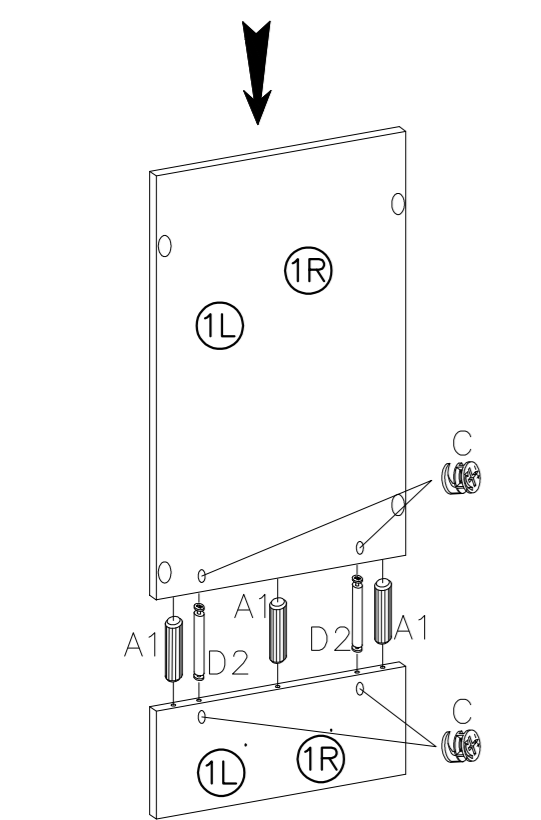


6

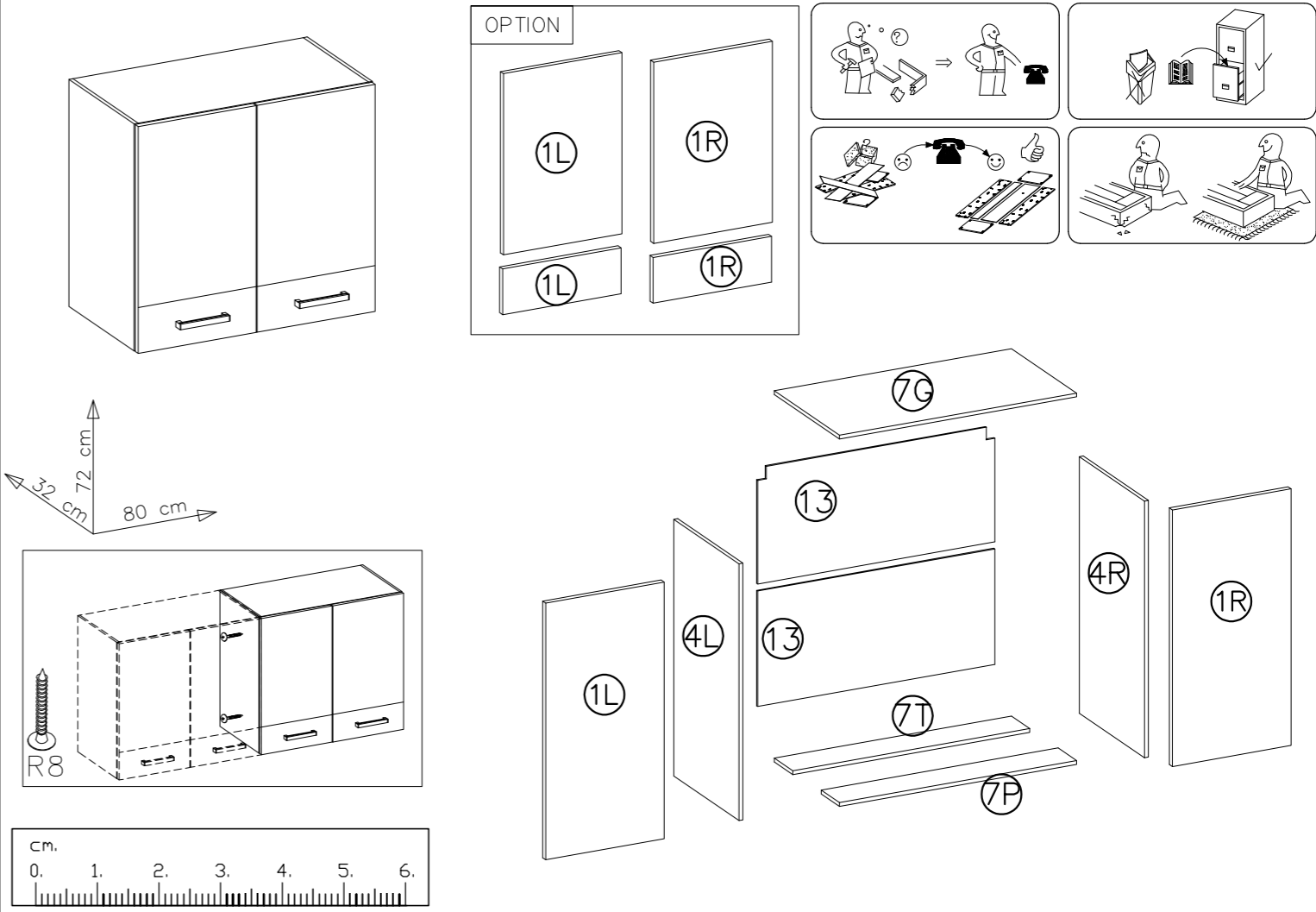
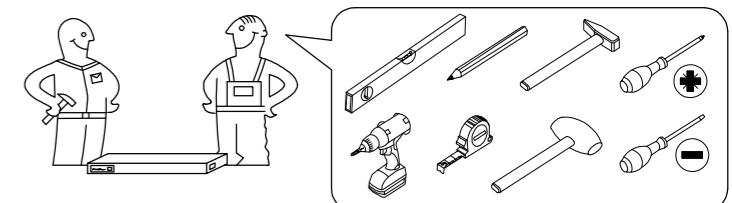


OPTION

$\varnothing 8 \times 40 \text{mm}$	$\varnothing 15 / 12 \text{mm}$	L-46	
A1	C	D2	E
6	8	4	8



# KITCHEN 53G



Package No 1

$\textcircled{4L}$ 720x300	$\textcircled{4R}$ 720x300
$\textcircled{7G}$ 53G-768x300	$\textcircled{7T}$ 53G-768x78
	$\textcircled{7P}$ 53G-768x78
$\textcircled{13}$ 53G-350x783	

Package No 2

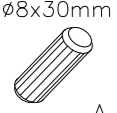

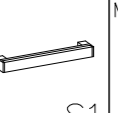


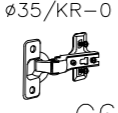
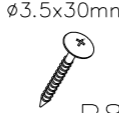
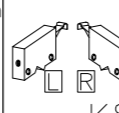

$\textcircled{1R}$ 53G-395x716	
$\textcircled{1L}$ 53G-395x716	
$\textcircled{S1}$ M4.0x27mm	$\textcircled{R2}$
2	4

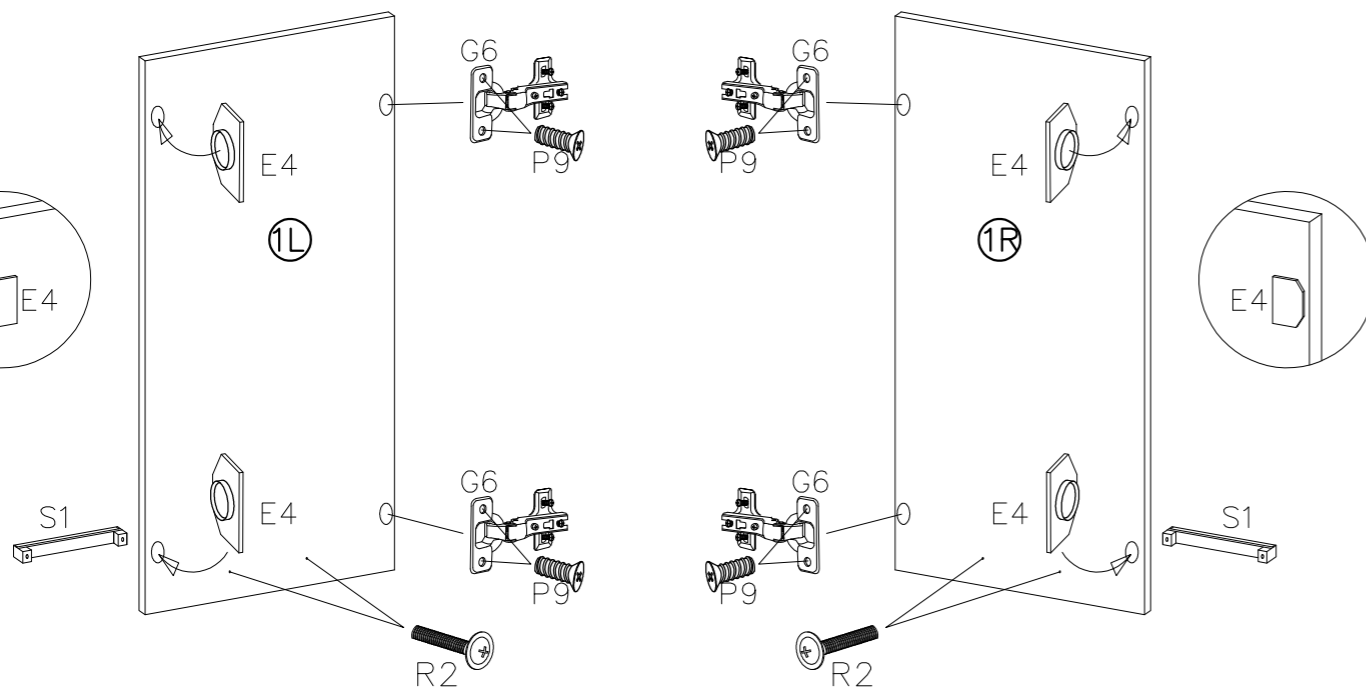
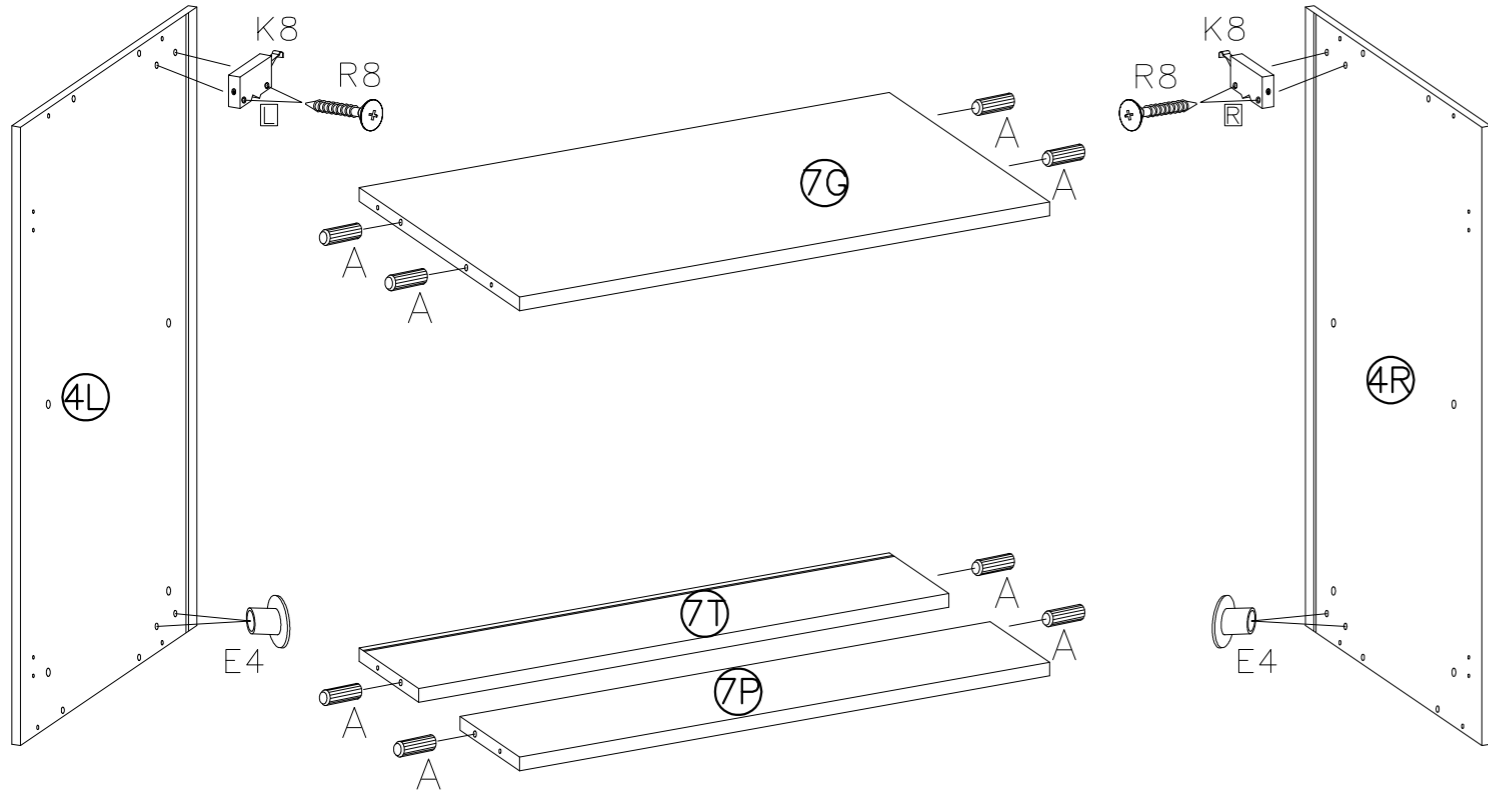
OPTION

$\varnothing 8 \times 40 \text{mm}$	$\varnothing 15 / 12 \text{mm}$	L-46	
A1	C	D2	E
6	8	4	8

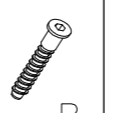
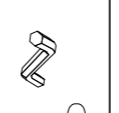

$\varnothing 8 \times 30 \text{mm}$				$\varnothing 35 / \text{KR}-0$		
A	B	O	L	G6	E4	
8	8	1	8	4	4	
		$\varnothing 5.0 \times 13 \text{mm}$	$\varnothing 3.5 \times 30 \text{mm}$			
K9	K8	P9	R8	Z1	Z4	
2	1	8	6	1	1	

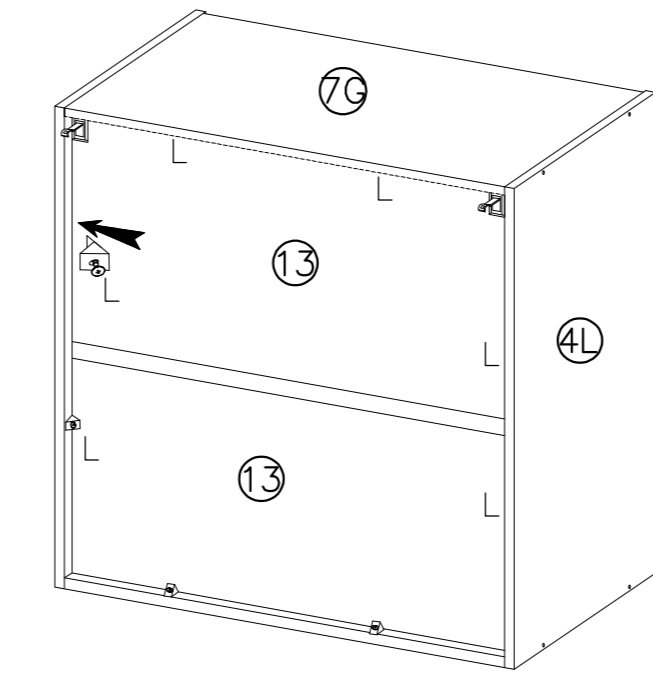
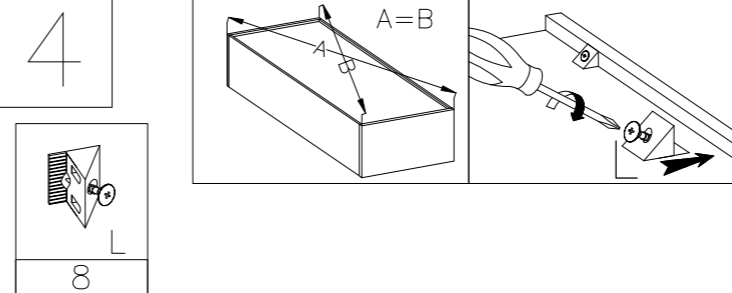
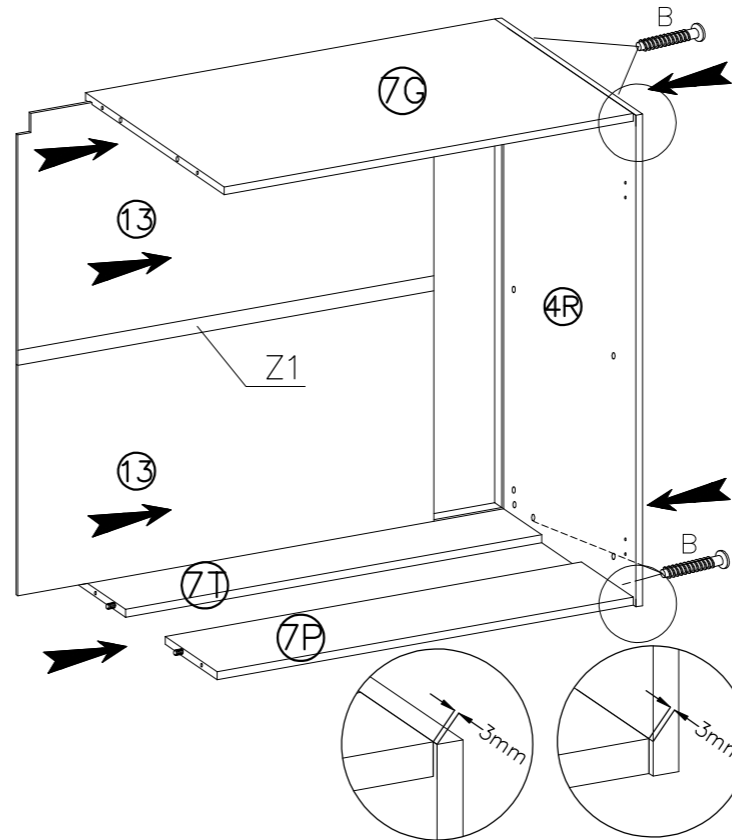
1

 $\varnothing 8 \times 30 \text{mm}$ A	 $\varnothing 5.0 \times 13 \text{mm}$ P9	 M4.0 $\times 27 \text{mm}$ S1	 R2	 E4	 $\varnothing 35 / \text{KR}-0$ G6	 $\varnothing 3.5 \times 30 \text{mm}$ R8	 K8	 E4
8	8	2	4	4	4	4	1	4

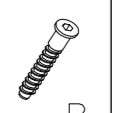
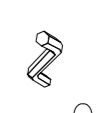


2

 B	 O	 Z1
4	1	1



3

 B	 O
4	1

